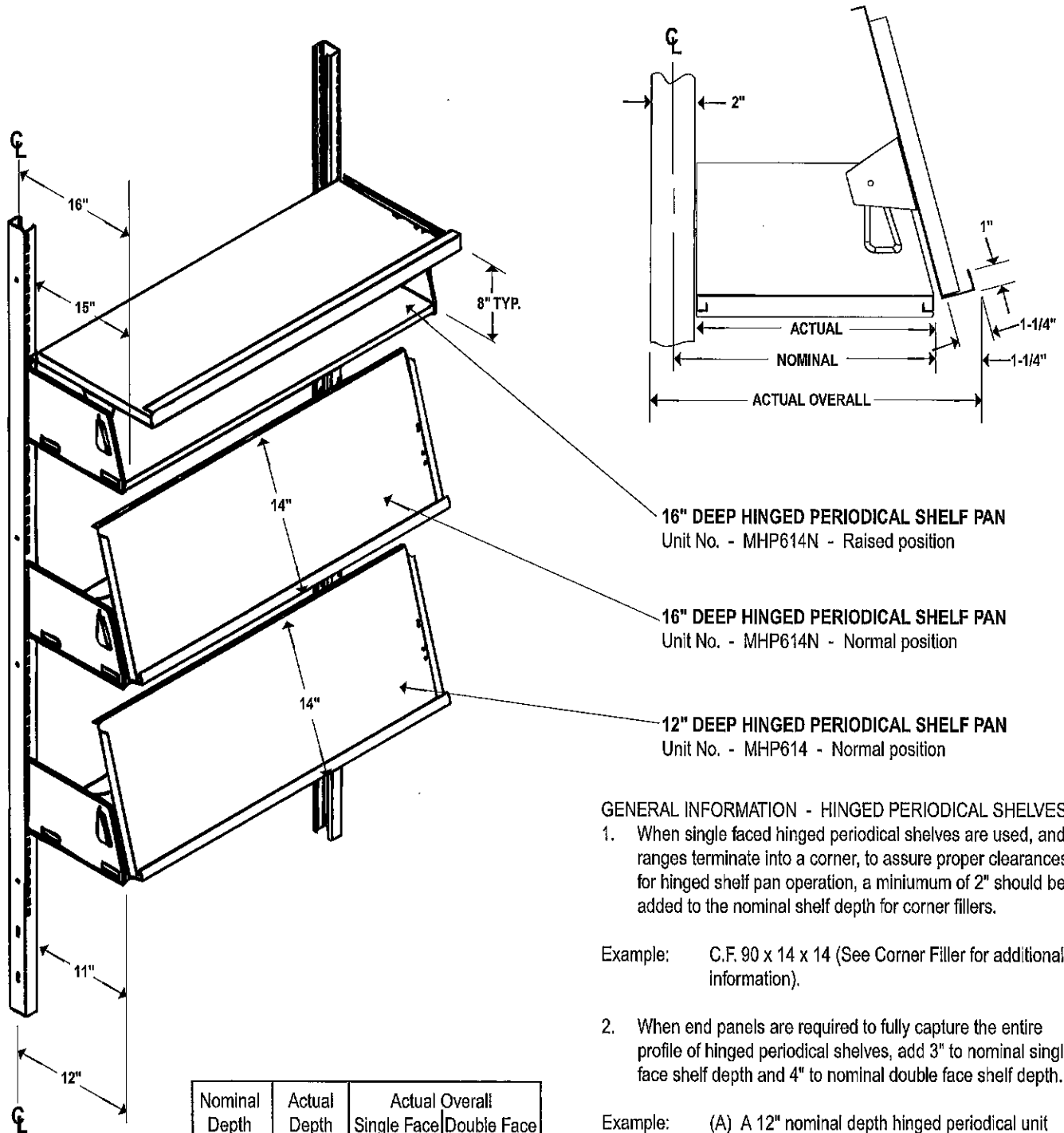


HINGED PERIODICAL SHELVES

16" & 12" Shelves 18 Gauge • Pivots & Brackets 16 Gauge



- 16" DEEP HINGED PERIODICAL SHELF PAN
Unit No. - MHP614N - Raised position
- 16" DEEP HINGED PERIODICAL SHELF PAN
Unit No. - MHP614N - Normal position
- 12" DEEP HINGED PERIODICAL SHELF PAN
Unit No. - MHP614 - Normal position

GENERAL INFORMATION - HINGED PERIODICAL SHELVES

1. When single faced hinged periodical shelves are used, and ranges terminate into a corner, to assure proper clearances for hinged shelf pan operation, a minimum of 2" should be added to the nominal shelf depth for corner fillers.

Example: C.F. 90 x 14 x 14 (See Corner Filler for additional information).

2. When end panels are required to fully capture the entire profile of hinged periodical shelves, add 3" to nominal single face shelf depth and 4" to nominal double face shelf depth.

Example: (A) A 12" nominal depth hinged periodical unit requires a 15" minimum depth end panel; (B) a 24" nominal depth unit requires a 28" minimum depth end panel.

Nominal Depth	Actual Depth	Actual Overall	
		Single Face	Double Face
12"	11"	14-5/8"	25-15/16"
16"	15"	18-5/8"	34-15/16"

3. Divider shelves with 6" high dividers are optional. Contact factory for additional information.